

# FXO 10GigE

fxo540CXGE



## General

Model:	fxo540CXGE
Product code(s):	F002091
Product series:	FXO 10GigE
Status:	Available

## Sensor

Sensor type:	Area scan
Chroma:	Color
Spectrum:	Visible
Spectral range:	400 nm to 1000 nm
Resolution:	5,320 × 4,600 (24.50 MP)
Sensor model:	Sony IMX540LQA
Sensor architecture (material):	cmos
Shutter type(s):	global-shutter
Sensor size:	14.58 × 12.60 mm (19.27 mm, 19.3mm (Type 1.2))
Pixel size:	2.74 μm × 2.74 μm

## Pixel formats

Sensor bit depth:	8-Bit, 12-Bit
RGB pixel formats:	bayer8, bayer12

## Imaging performance

Dynamic range:	72 dB
SNR:	39.12 dB

## Timing and gain

Max. frame rate:	30.4 fps
Exposure time:	60 $\mu$ s (max)
Gain:	0.0 dB to 48.0 dB

## I/Os and power

Non-isolated lines:	0 x LVDS input, 0 x LVDS output 0 x TTL input, 0 x TTL output, 2 x 24V input, 4 x Open drain output
Specific non-isolated lines:	1 x RS232 input, 1 x RS232 output, 0 x RS422 input, 0 x RS422 output
Opto-isolated lines:	1 x Optical isolated input, 0 x Optical isolated Input,
Power supply:	10 to 25VDC
Power consumption:	External: 9 W (typical at 12 VDC)

## Operating conditions

Operating temperature (housing):	-10 °C to 60 °C
----------------------------------	-----------------

## Mechanical properties

Body dimensions (L x W x H in mm):	76 × 50 × 50
Filter/protection glass:	IR-Cut 680
IP class:	IP30
Lens mount(s):	C-Mount
Weight:	240 g

## On-board memory and FPGA

Image buffer (RAM):	896 MByte
Non-volatile memory (Flash):	32 KByte

## Interfaces

Digital interface:	10gige
Interface connector:	(RJ-45)

## FW features - image control

Exposure modes:	Manual, Auto, External
Gain modes:	Auto, Manual

## FW features - image control

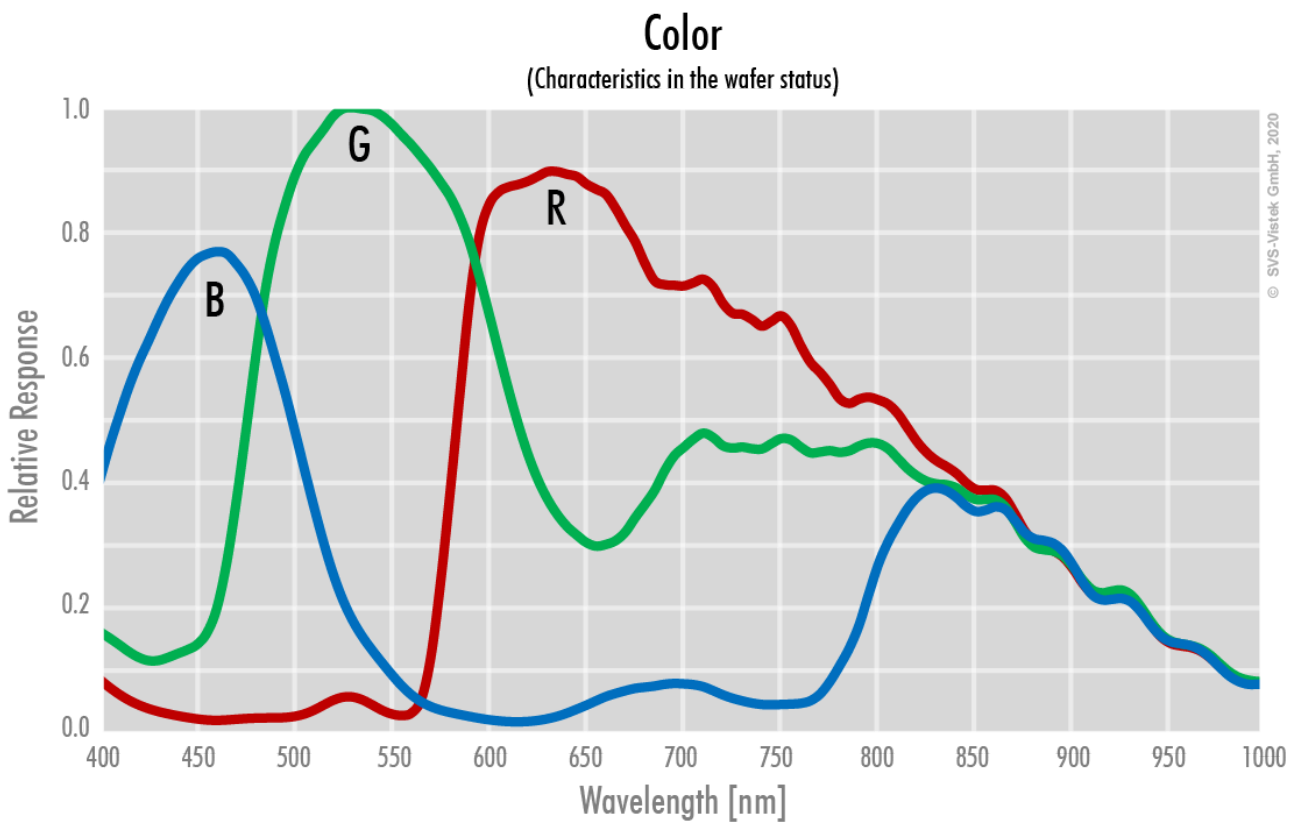
White balance modes: auto, manual

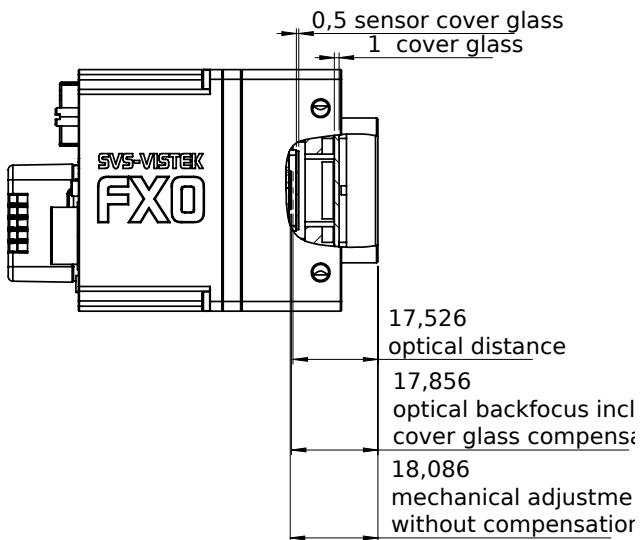
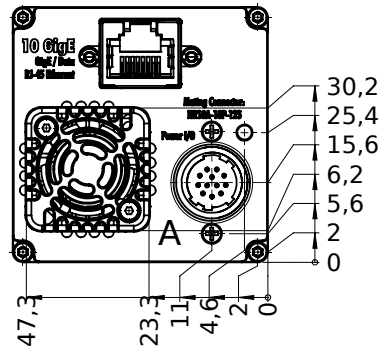
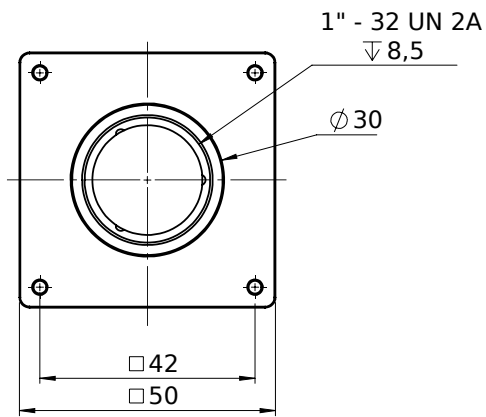
Image control features: FW Features - Image Control

## FW features - camera control

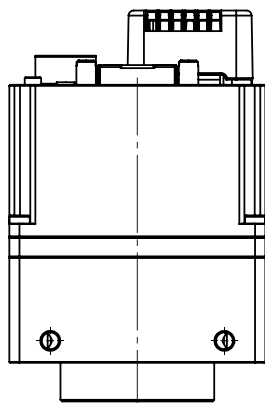
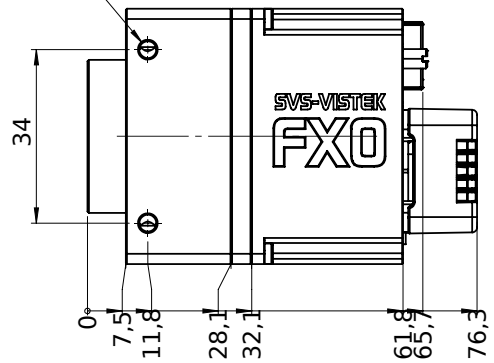
Trigger modes/sync: INTERNAL,SOFTWARE,EXTERNAL

Camera control features: PTP, User Sets, POE, PWM(4), Sequencer,



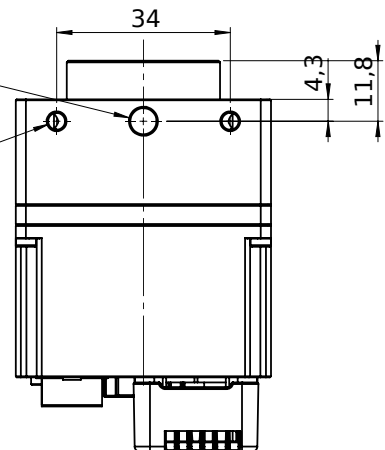


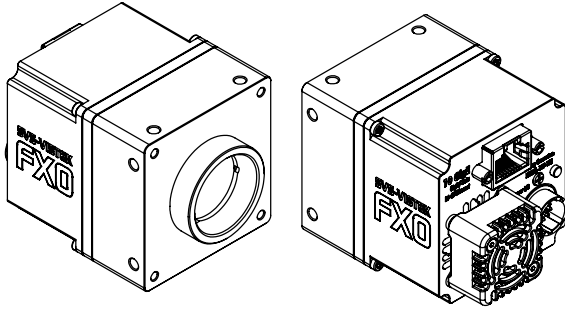
M4 - 6H  $\nabla$  5  
 same from left



1/4 - 20 UNC  
 $\nabla$  5,0

M4 - 6H  $\nabla$  5  
 same from top





## I/O pin assignment

Hirose 12 Pin



1	VIN - (GND)	7	OUT 1 (open drain)
2	VIN + (10 V to 25 V DC)	8	OUT 2 (open drain)
3	IN 4 (RXD RS232)	9	IN 3 + (opto In +)
4	OUT 4 (TXD RS232)	10	IN 3 - (opto In -)
5	IN 1 (0-24V)	11	OUT 3 (open drain)
6	IN 2 (0-24V)	12	OUT 0 (open drain)