

FXO 10GigE

fxo540MXGE



General

Model:	fxo540MXGE
Product code(s):	F002090
Product series:	FXO 10GigE
Status:	Available

Sensor

Sensor type:	Area scan
Chroma:	Mono
Spectrum:	Visible
Spectral range:	400 nm to 1000 nm
Resolution:	5,320 × 4,600 (24.50 MP)
Sensor model:	Sony IMX540LLA
Sensor architecture (material):	cmos
Shutter type(s):	global-shutter
Sensor size:	14.58 × 12.60 mm (19.27 mm, 19.3mm (Type 1.2))
Pixel size:	2.74 μm × 2.74 μm

Pixel formats

Sensor bit depth:	8-Bit, 12-Bit
Monochrome pixel formats:	mono8, mono12

Imaging performance

Dynamic range:	72 dB
SNR:	39.11 dB

Timing and gain

Max. frame rate:	30.4 fps
Exposure time:	60 μ s (max)
Gain:	0.0 dB to 48.0 dB

I/Os and power

Non-isolated lines:	0 x LVDS input, 0 x LVDS output 0 x TTL input, 0 x TTL output, 2 x 24V input, 4 x Open drain output
Specific non-isolated lines:	1 x RS232 input, 1 x RS232 output, 0 x RS422 input, 0 x RS422 output
Opto-isolated lines:	1 x Optical isolated input, 0 x Optical isolated Input,
Power supply:	10 to 25VDC
Power consumption:	External: 9 W (typical at 12 VDC)

Operating conditions

Operating temperature (housing):	-10 °C to 60 °C
----------------------------------	-----------------

Mechanical properties

Body dimensions (L x W x H in mm):	76 x 50 x 50
Filter/protection glass:	K9 - AR coating - 400-850nm
IP class:	IP30
Lens mount(s):	C-Mount
Weight:	240 g

On-board memory and FPGA

Image buffer (RAM):	896 MByte
Non-volatile memory (Flash):	32 KByte

Interfaces

Digital interface:	10gige
Interface connector:	(RJ-45)

FW features - image control

Exposure modes:	Manual, Auto, External
Gain modes:	Auto, Manual

FW features - image control

Image control features:

FW Features - Image Control

FW features - camera control

Trigger modes/sync:

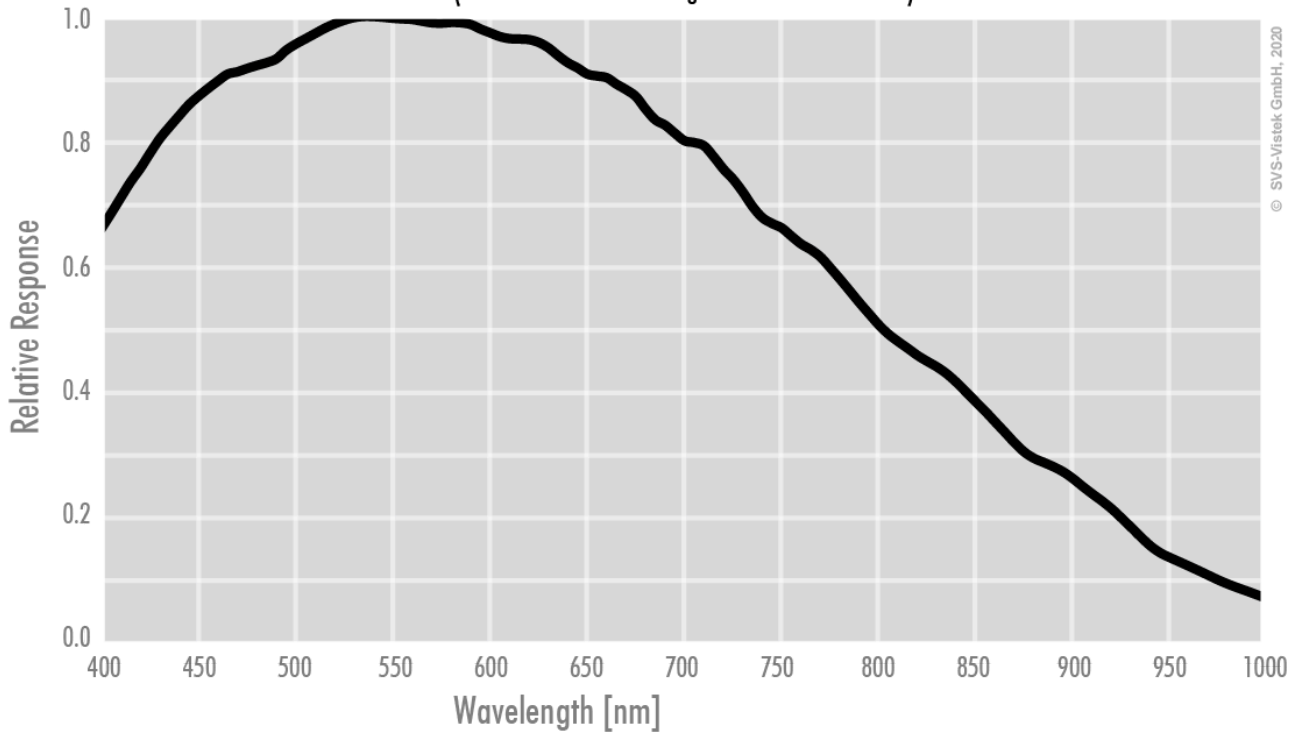
INTERNAL,SOFTWARE,EXTERNAL

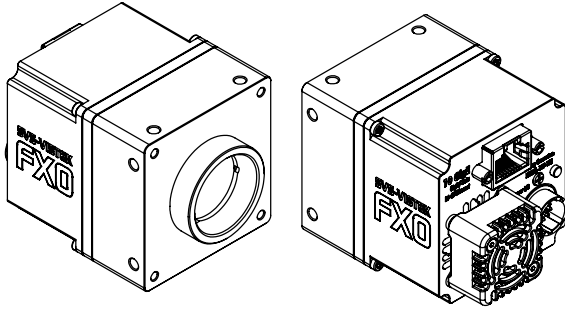
Camera control features:

PTP, User Sets, POE, PWM(4), Sequencer,

Monochrome

(not included: lens- and light source characteristics)





I/O pin assignment

Hirose 12 Pin



1	VIN - (GND)	7	OUT1 (open drain)
2	VIN + (10 V to 25 V DC)	8	OUT2 (open drain)
3	IN4 (RXD RS232)	9	IN3 + (opto In +)
4	OUT4 (TXD RS232)	10	IN3 - (opto In -)
5	IN1 (0-24V)	11	OUT3 (open drain)
6	IN2 (0-24V)	12	OUT0 (open drain)