



General

Model:	hr25CCX
Product code(s):	F004054
Product series:	HR CoaXPress
Status:	Available

Sensor

Sensor type:	Area scan
Chroma:	Color
Spectrum:	Visible
Spectral range:	400 nm to 1000 nm
Resolution:	5,120 × 5,120 (25.00 MP)
Sensor model:	ON Semiconductor NOIP1SE025KA-GDI
Sensor architecture (material):	cmos
Shutter type(s):	global-shutter
Sensor size:	23.04 × 23.04 mm (32.58 mm, 32.58mm (APS-H))
Pixel size:	4.50 μm × 4.50 μm

Pixel formats

Sensor bit depth:	8-Bit,10-Bit
RGB pixel formats:	bayer8, bayer10

Timing and gain

Max. frame rate:	81 fps
Exposure time:	60 µs (max)
Gain:	0.0 dB to 18.0 dB

I/Os and power

Non-isolated lines:	0 x LVDS input, 0 x LVDS output, 0 x TTL input, 0 x TTL output, 2 x 24V input, 4 x Open drain output
Specific non-isolated lines:	1 x RS232 input, 1 x RS232 output, 0 x RS422 input, 0 x RS422 output
Opto-isolated lines:	1 x Optical isolated input, 0 x Optical isolated Input,
Power supply:	10 to 25VDC
Power consumption:	External: 15 W (typical at 12 VDC)

Operating conditions

Operating temperature (housing):	-10 °C to 60 °C
----------------------------------	-----------------

Mechanical properties

Body dimensions (L x W x H in mm):	56 × 70 × 70
IP class:	IP30
Lens mount(s):	M58x0.75
Weight:	420 g

On-board memory and FPGA

Non-volatile memory (Flash):	160 KByte
------------------------------	-----------

Interfaces

Digital interface:	cxp-6 with 4 connections
Interface connector:	(Din1.0/2.3)

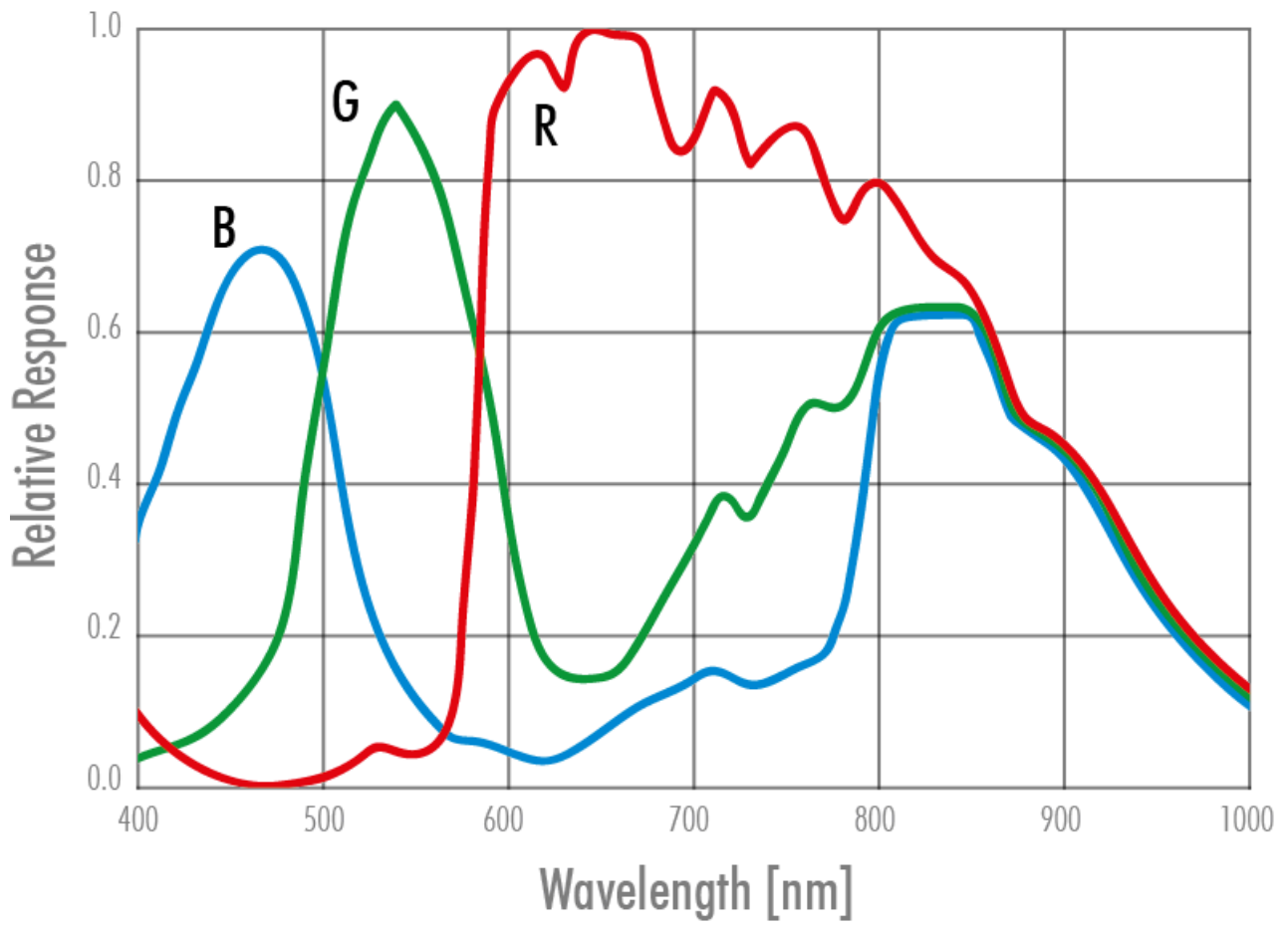
FW features - image control

Exposure modes:	Manual, Auto, External
Gain modes:	Auto, Manual
White balance modes:	auto, manual
Image control features:	FW Features - Image Control

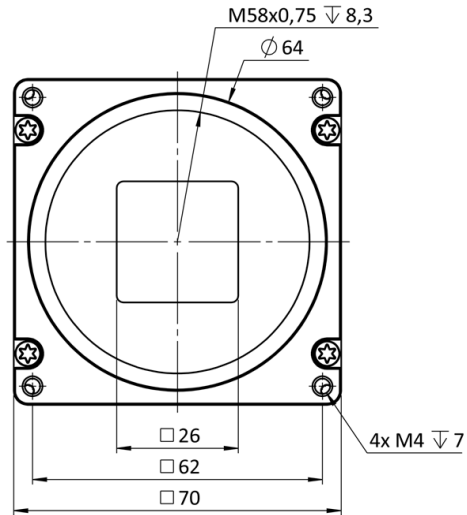
FW features - camera control

Trigger modes/sync:	INTERNAL, SOFTWARE, EXTERNAL
Camera control features:	PoCxP, User Sets, PWM(4), Sequencer,

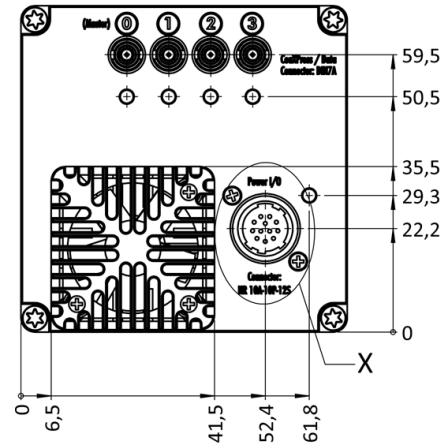
Quantum Efficiency



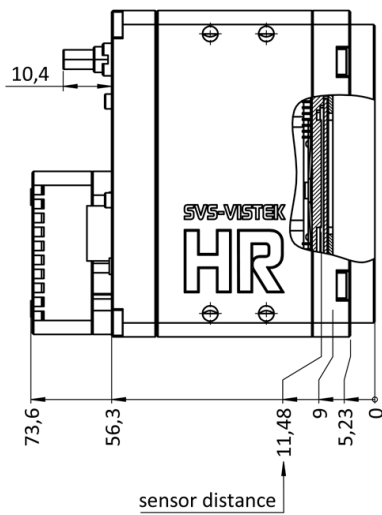
front view



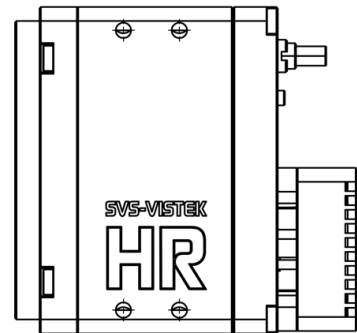
back view



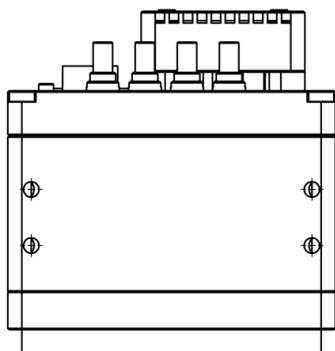
cross section



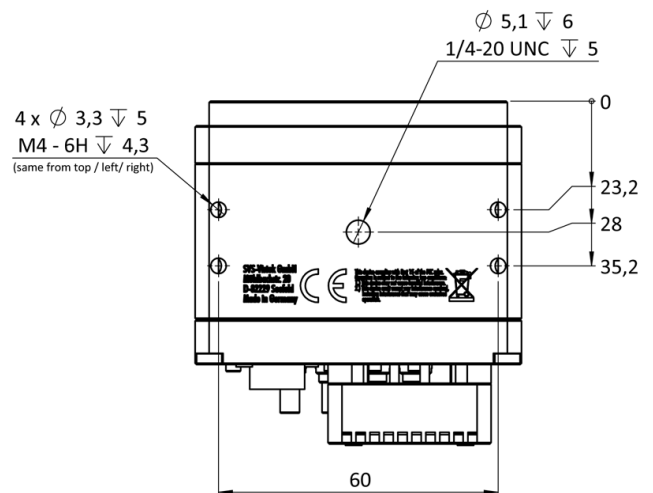
right view



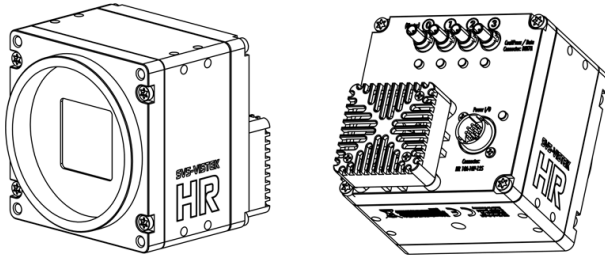
top view



bottom view



3D view



I/O pin assignment



Hirose 12 Pin

1	VIN - (GND)	7	OUT 1 (open drain)
2	VIN + (10 V to 25 V DC)	8	OUT 2 (open drain)
3	IN 4 (RXD RS232)	9	IN 3 + (opto In +)
4	OUT 4 (TXD RS232)	10	IN 3 - (opto In -)
5	IN 1 (0-24V)	11	OUT 3 (open drain)
6	IN 2 (0-24V)	12	OUT 0 (open drain)