

# HR CoaXPress

hr65MCX12



## General

Model:	hr65MCX12
Product code(s):	F004173
Product series:	HR CoaXPress
Status:	Available

## Sensor

Sensor type:	Area scan
Chroma:	Mono
Spectrum:	Visible
Spectral range:	400 nm to 1000 nm
Resolution:	9,344 × 7,000 (65.00 MP)
Sensor model:	Gpixel GMAX3265
Sensor architecture (material):	cmos
Shutter type(s):	global-shutter
Sensor size:	29.90 × 22.40 mm (37.36 mm, 37.4mm)
Pixel size:	3.20 μm × 3.20 μm

## Pixel formats

Sensor bit depth:	8-Bit, 10-Bit
Monochrome pixel formats:	mono8, mono10

## Imaging performance

Dynamic range:	65.6 dB
SNR:	40 dB

## Timing and gain

Max. frame rate:	71 fps
Exposure time:	60 µs (max)
Gain:	0.0 dB to 18.0 dB

## I/Os and power

Non-isolated lines:	0 x LVDS input, 0 x LVDS output 0 x TTL input, 0 x TTL output, 2 x 24V input, 4 x Open drain output
Specific non-isolated lines:	1 x RS232 input, 1 x RS232 output, 0 x RS422 input, 0 x RS422 output
Opto-isolated lines:	1 x Optical isolated input, 0 x Optical isolated Input,
Power supply:	10 to 25VDC
Power consumption:	External: 18 W (typical at 12 VDC)

## Operating conditions

Operating temperature (housing):	-10 °C to 60 °C
----------------------------------	-----------------

## Mechanical properties

Body dimensions (L x W x H in mm):	76 × 70 × 70
Filter/protection glass:	N-BK7 - AR coating
IP class:	IP30
Lens mount(s):	M58x0.75
Weight:	420 g

## On-board memory and FPGA

Non-volatile memory (Flash):	32 KByte
------------------------------	----------

## Interfaces

Digital interface:	cxp-12 with 4 connections
Interface connector:	(micro-BNC)

## FW features - image control

Exposure modes:	Manual, Auto, External
Gain modes:	Auto, Manual
Image control features:	FW Features - Image Control

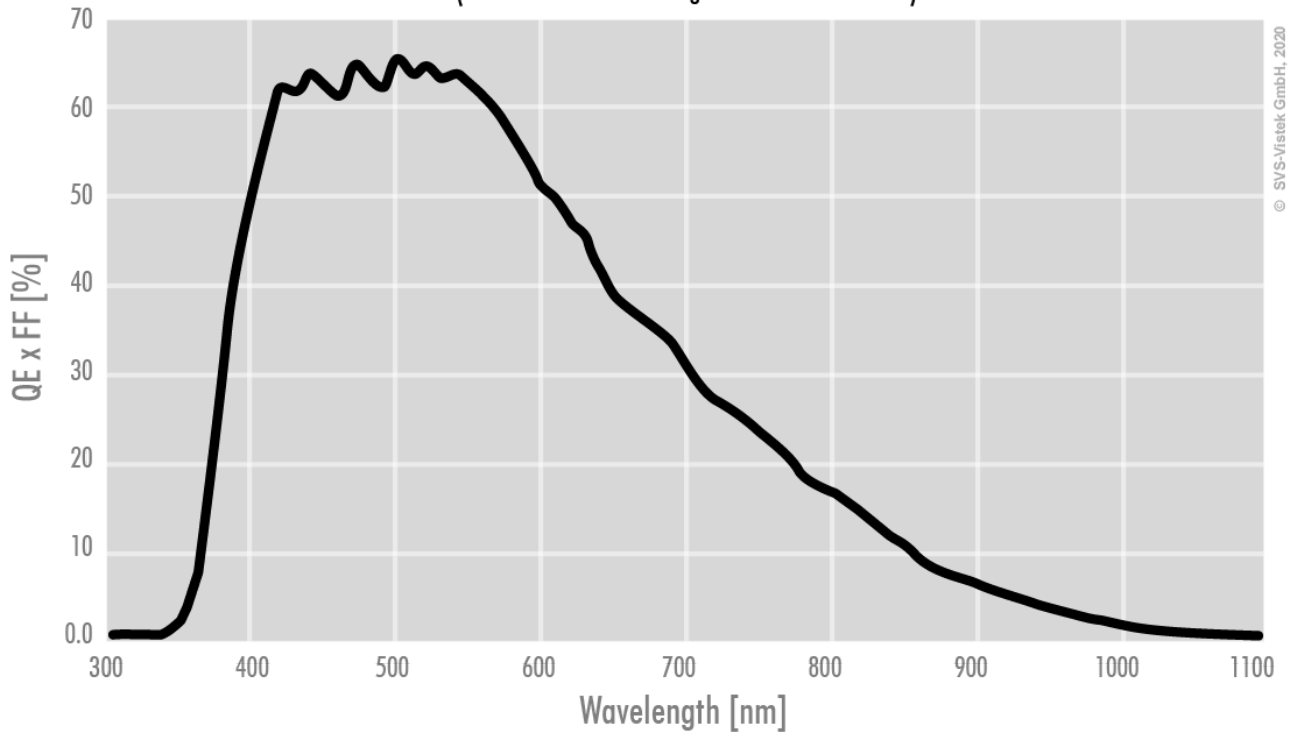
## FW features - camera control

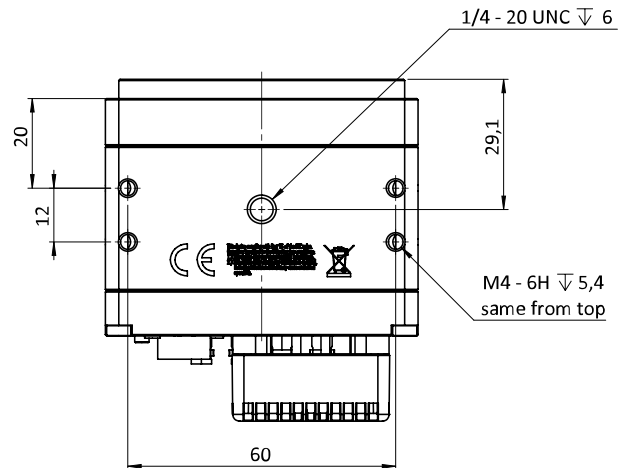
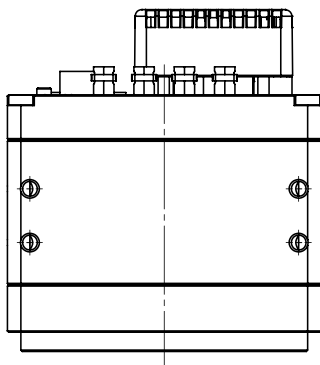
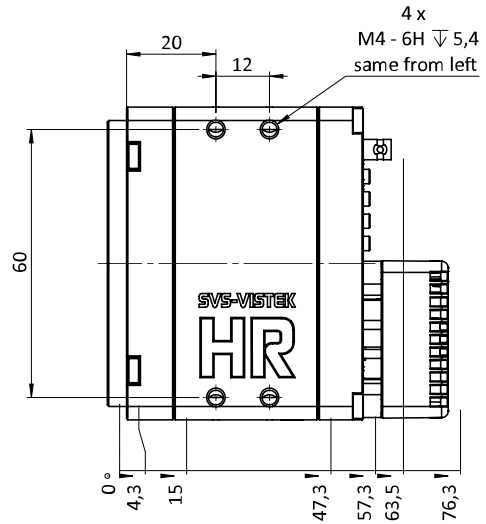
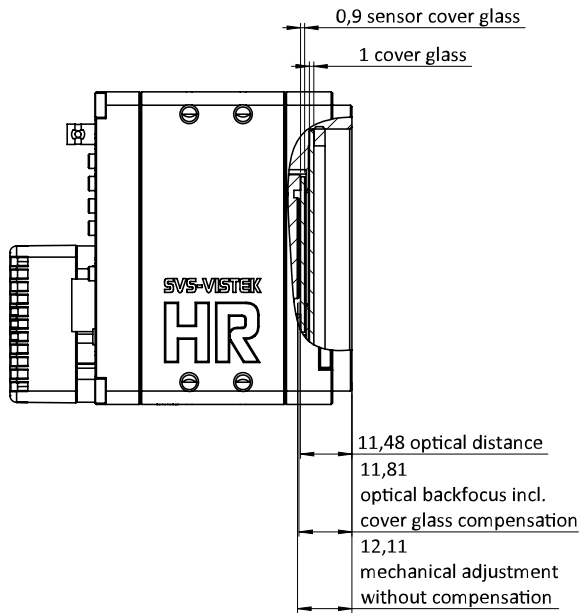
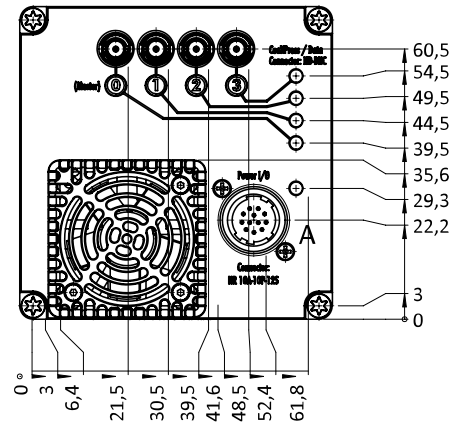
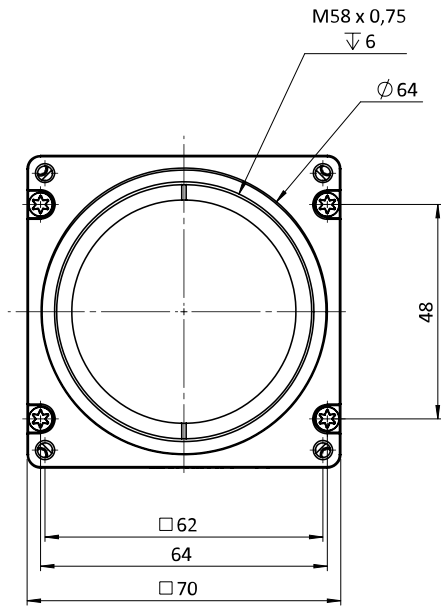
Trigger modes/sync: INTERNAL,SOFTWARE,EXTERNAL

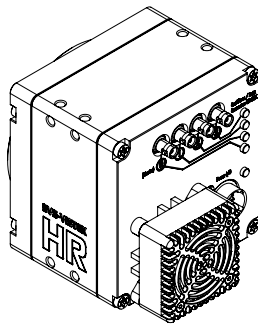
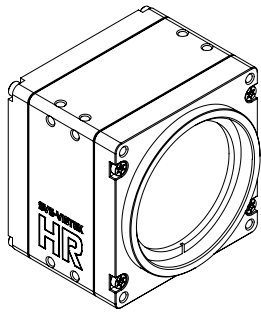
Camera control features: User Sets, PWM(4), Sequencer,

### Monochrome

(not included: lens- and light source characteristics)







## I/O pin assignment



1	VIN - (GND)	7	OUT 1 (open drain)
2	VIN + (10 V to 25 V DC)	8	OUT 2 (open drain)
3	IN 4 (RXD RS232)	9	IN 3 + (opto In +)
4	OUT 4 (TXD RS232)	10	IN 3 - (opto In -)
5	IN 1 (0-24V)	11	OUT 3 (open drain)
6	IN 2 (0-24V)	12	OUT 0 (open drain)